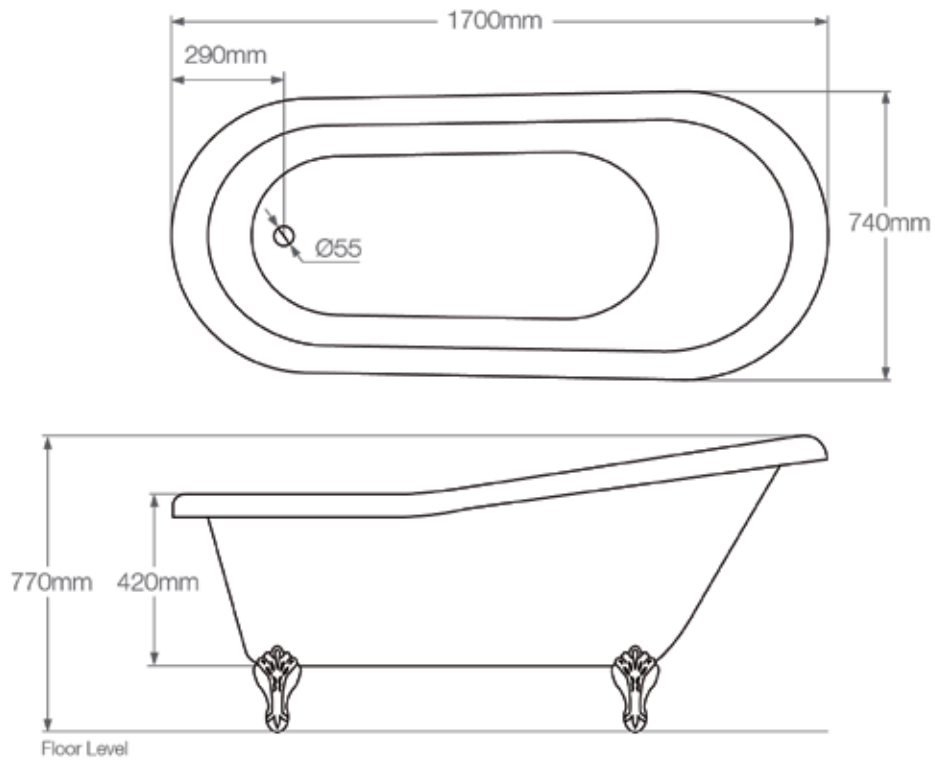


620.12015_Oxford (tech)



General Specification

Litres to overflow: 180 litres

Weight: 42kg

Weight (with water): 222kg

Tap Holes: Can be drilled on request